

Read the entire instruction manual before starting so that you are familiar with the stages of assembly and the tools required at each step

TOOLS REQUIRED (Not Supplied)

- Phillips screwdriver
- Cordless drill
- Masking tape
- Tape measure
- Pencil

FOLDAWAY BIMINI TOP 2 BOW INSTRUCTIONS

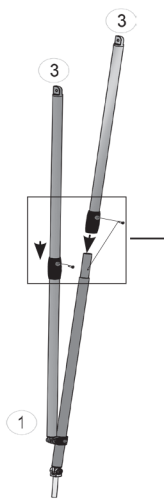


COMPONENTS INCLUDED

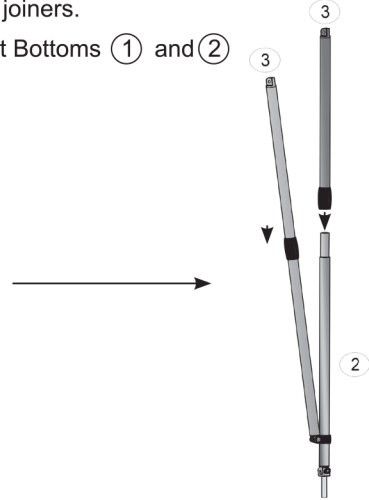
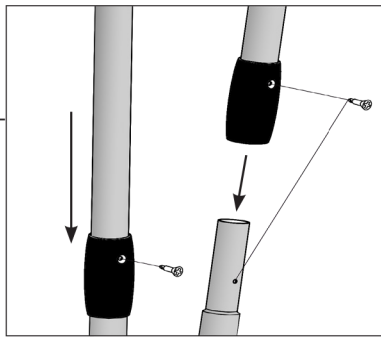
<p>① Upright Bottom L</p>	<p>② Upright Bottom R</p>	<p>③ Upright Top</p>	<p>2x</p> <p>④a Crossbar a</p> <hr/> <p>2x</p> <p>④b Crossbar b</p>	<p>4x</p> <p>⑤ S/S Saddle</p> <p>8x</p> <p>⑥ Screw</p> <p>4x</p> <p>⑦ Screw</p> <p>⑨ Fabric</p> <p>⑩ Storage Bag</p>
---------------------------	---------------------------	----------------------	---	--

STEP 1

Assembling Uprights



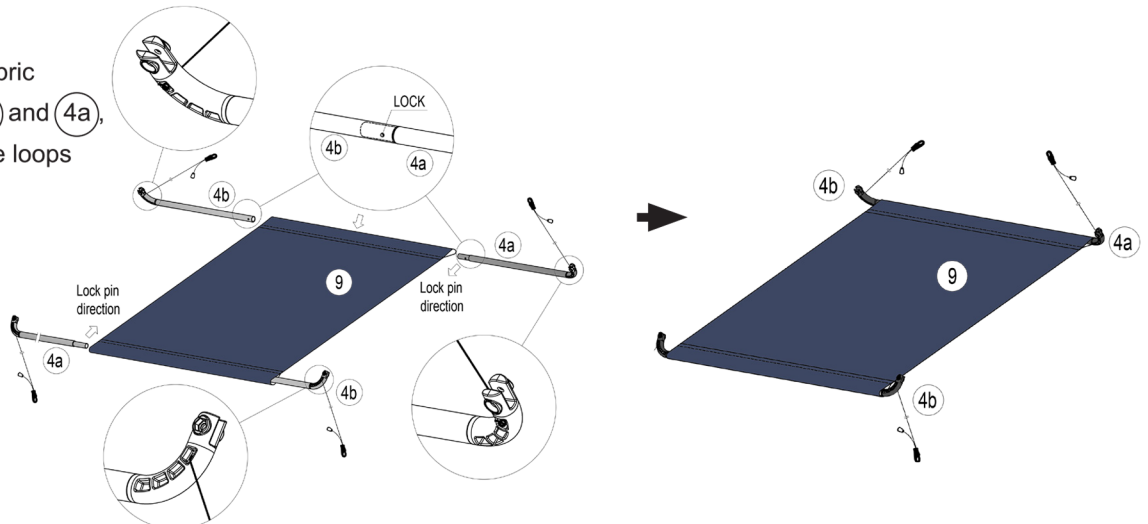
- Release the screws from the plastic joiners.
- Attach Upright Top ③ to the Upright Bottoms ① and ②
- Align the holes and fix screws.



STEP 2

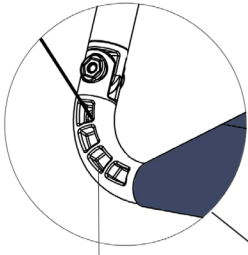
Attach Crossbars to the Fabric

Connect the Crossbars ④b and ④a, by placing them through the loops in the fabric.

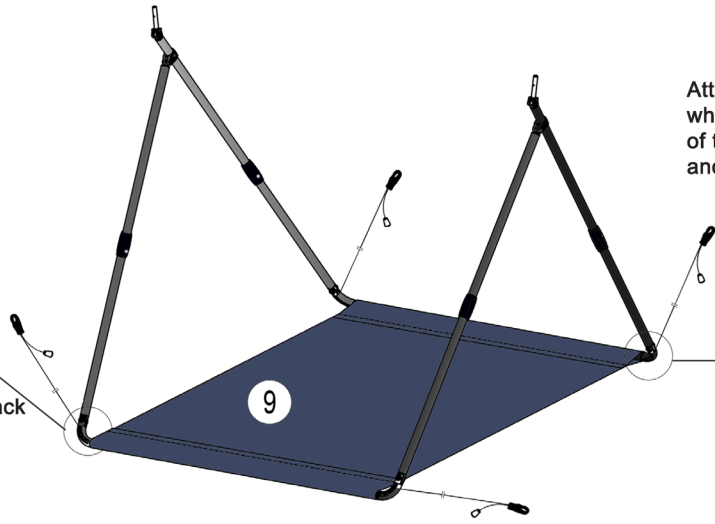


STEP 3

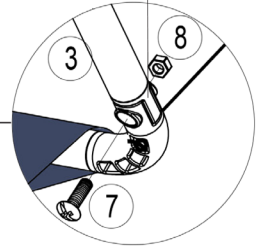
Attach Uprights



Ensure the rope located on the front and back of the bimini is facing an outward direction. Making it easily attached to their respected saddles they clip into.

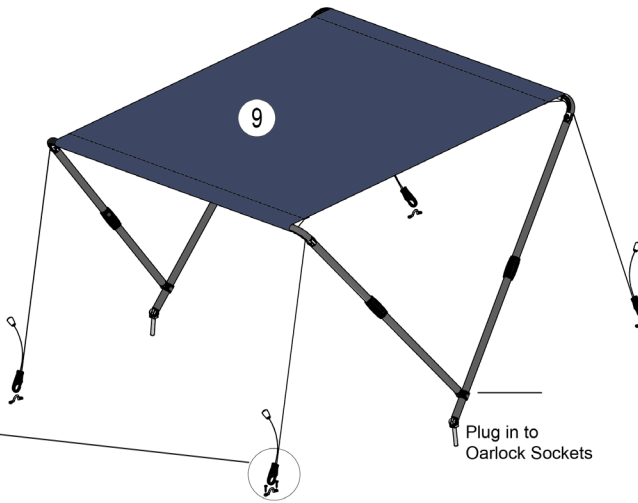
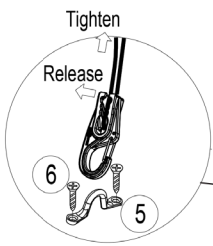


Attach the uprights while making sure the flat side of the uprights is pointing outwards and the curved part is facing in.



STEP 4

Attach to Boat

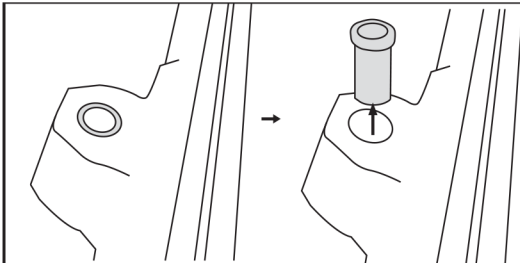


a. Plug the bimini frame into the existing oar lock sockets on the boat.

b. Prior to drilling the saddle holes into the gunnel, pull the straps down to find the most suitable position on your boat to screw down the saddle mounts.

c. Using the screws (6), secure the saddles (5) to the gunnel of the boat.

d. Attach the straps to the saddle.



if the pin of the Bimini top does not fit into the sleeve of your boat's row locks, you'll need to tap out the existing plastic sleeve that some boat manufacturers insert in the hole. This can be done by using a rubber mallet and a punch (or something similar) and tapping it through carefully.